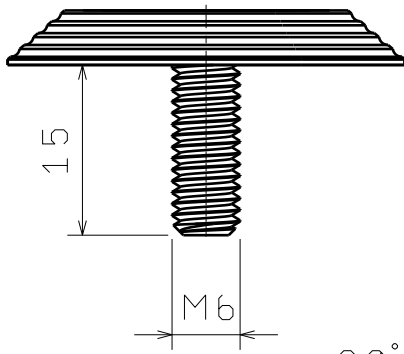
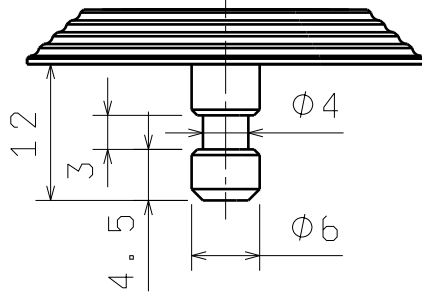


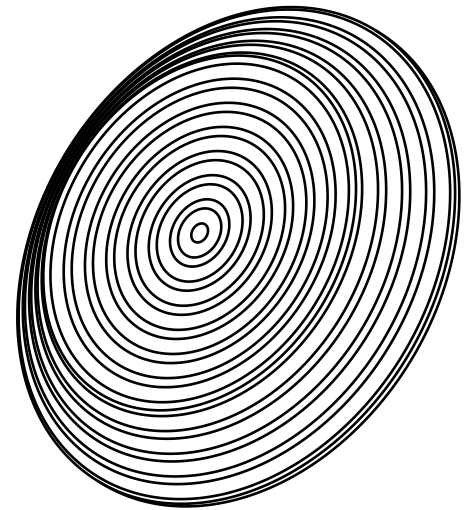
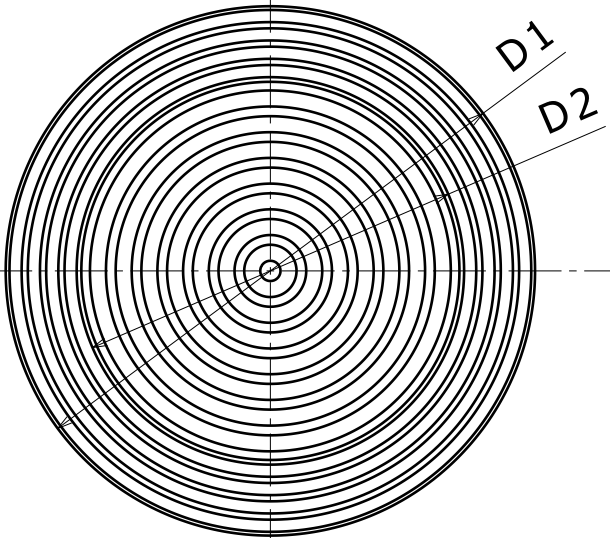
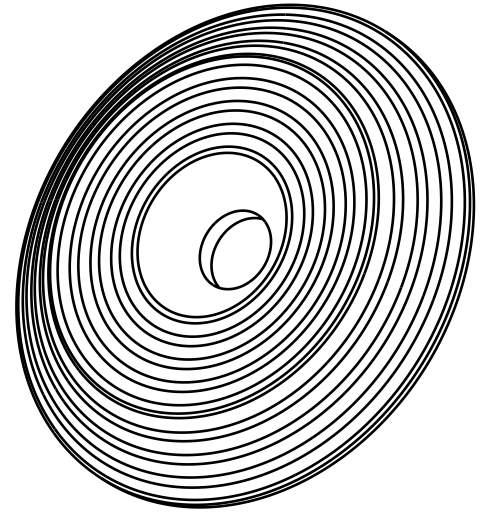
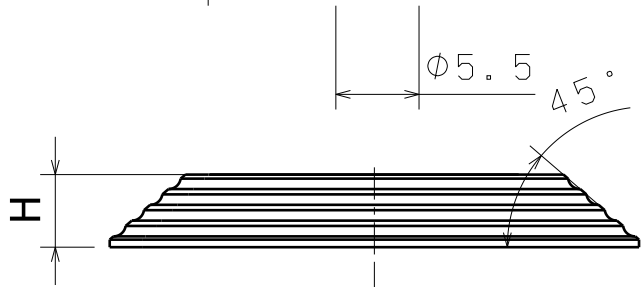
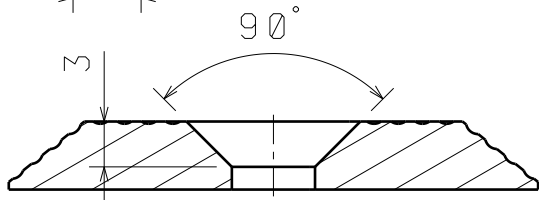
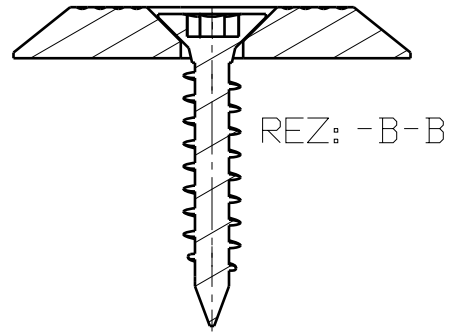
**BODOVANÝ KOLIK**



**MONOLITNY KOLIK**



**ZAVRTANIE PRE SKRUTKY**



D1	D2					
	H-1,5	H-3	H-3,5	H-4	H-4,5	H-5
15	12	9	8	7	6	5
25	22	19	18	17	16	15
30	27	24	23	22	21	20
35	32	29	28	27	26	25
50	47	44	43	42	41	40

SIZE  
A4



**OLEJAR**  
safety

DESIGNED BY

DATE

20. 4. 2020

K2

OL-20-04-20-100

D

A